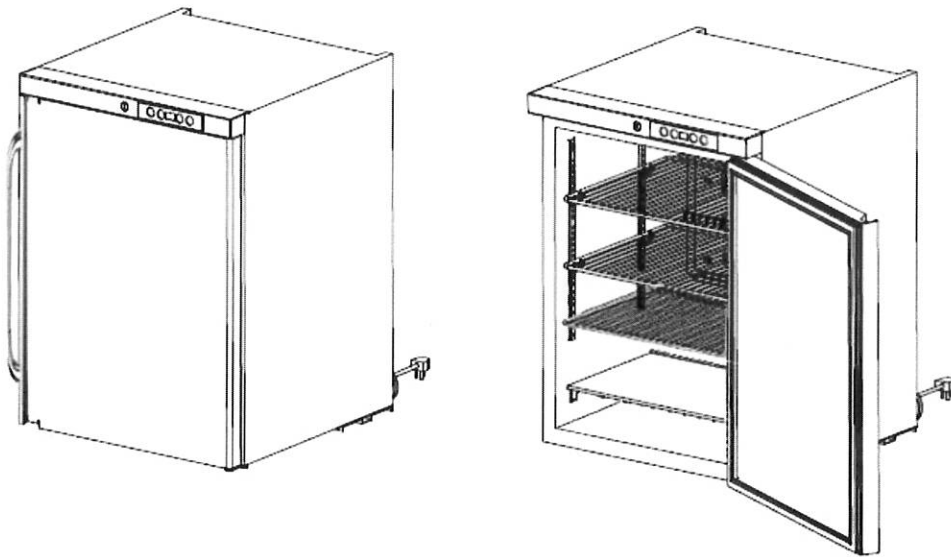


Outdoor and Indoor Electric Refrigerator

13001

USER'S MANUAL



This Refrigerator can be for indoor and outdoor use and is intended for storing beverages and fresh foods at temperatures higher than 0°C/32°F.

13001

***PLEASE READ THE MANUAL THOROUGHLY PRIOR TO
EQUIPMENT SET-UP, OPERATION AND MAINTENANCE.***

SAVE THESE INSTRUCTIONS:

INSTALLATION

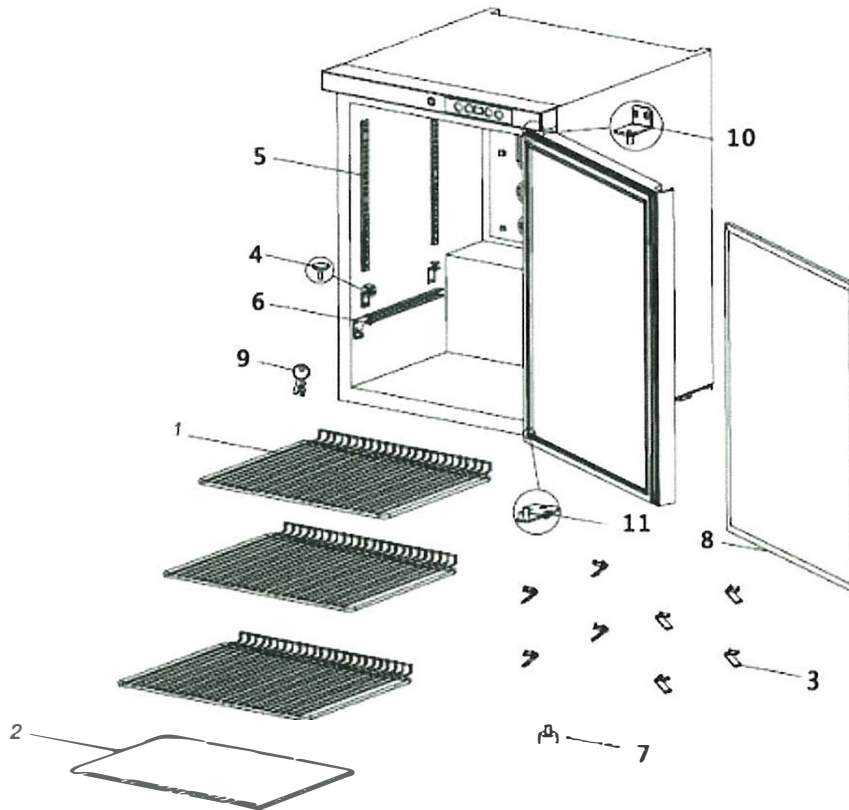
IMPORTANT!!! PLEASE READ BEFORE INSTALLATION

- If the unit has recently been transported, please let unit stand still for a minimum of 24 hours before plugging it in.
- Make sure that the unit drops down to desired temperature before loading the unit with product.
- Make sure that there is proper ventilation around the unit in the area where it will operate.
- Make sure all accessories are installed (i.e. shelves, shelf clips) before plugging the unit in.
- Please read through the manual in its entirety.

CABINET LOCATION GUIDELINES

- **Install the unit on strong and leveled surfaces**
 - unit may make unpleasant noises if surface is uneven
 - unit may malfunction if surface is uneven
- **Install the unit in a dry, well-ventilated area**
 - unit should be away from direct sunlight, Extreme cold ambient temperatures may also cause the unit not to perform properly.
- **Avoid installation in a high humidity and/or dusty area**
 - humidity could cause unit to rust and decrease efficiency of the unit
 - dust collected on condenser coil will cause unit to malfunction. Clean the condenser at least once a month with a brush or clean cloth
- **Avoid placing the unit near heat emitting devices (ex: cooking appliances, radiators, water heaters, or similar devices) and moisture-generating equipment**
 - high ambient temperatures will cause the compressor to overwork, leading to higher energy bills and gradual breakdown of the unit
- **The unit must have more than 20 cm of clearance from the cabinet to any walls.**
 - since this product has many ventilation holes underneath, please make sure there is a gap of at least 3cm between the bottom of the product and the ground & there is nothing stuck underneath.

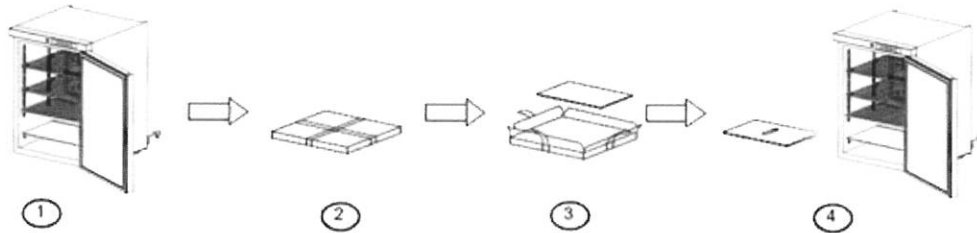
Parts Diagram



Model # 13001 PARTS LIST			
NUMBER	PART #	DESCRIPTION	QTY
1	13501	UPPER SHELF	3
2	13502	GLASS SHELF	1
3	13504	SHELF SUPPORT CLIP	8
4	13505	GLASS SHELF PROTECTIVE PAD	4
5	13506	SHELF BRACKET	4
6	13507	SIDE SET	1
7	13508	ADJUSTING FEET	4
8	13509	DOOR GASKET	1
9	13510	DOOR KEY	2
10	13511	UPPER HINGE	1
11	13512	BOTTOM HINGE	1
12		DOOR HANDLE	1
13		INTERIOR LIGHT WITH CIRCUIT BOARD AND LENS	1
14		COMPLETE DISPLAY PANEL W/LOCK	1
15		DUAL FAN MOTORS	1

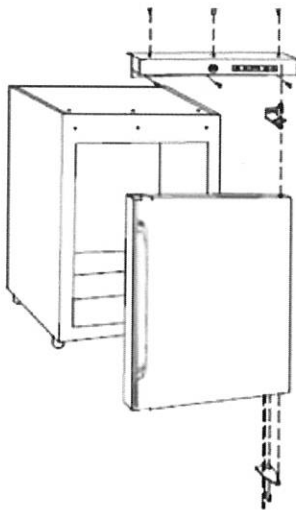
INSTALLING THE GLASS SHELF

- Open the door. The glass shelf is packed at the refrigerator bottom.
- Take the glass shelf out of the refrigerator and packaging.
- Put the glass shelf onto the Protective Pads.

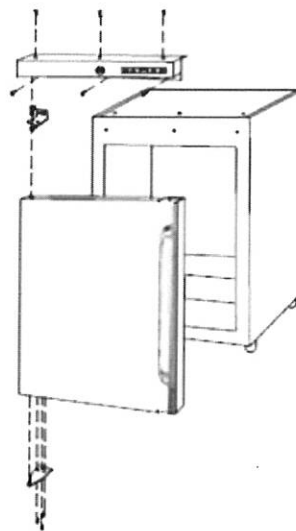


CHANGING THE DOOR'S SWING

The direction of the door opens could be changed by placing the Upper and Lower Hinges in different corners. Remove the hardware on the Control Panel and Hinges as shown. Place the hinges and door to your preference. Reinstall the Control Panel and Hardware.



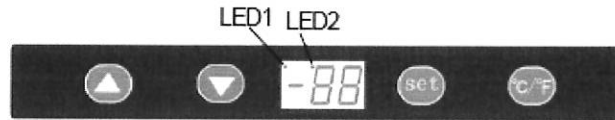
Door Swings to Right



Door Swings to Left

CONTROL PANEL

■ **Temperature Control:** Press **SET**. Choose **▲** or **▼** to adjust the temperature. Holding the directional button for at least 2 seconds quickly change the temperature displayed. The temperature will be set and show on the display if not pressing the direction for 6 seconds.



- **Indicator Light:** When the compressor is on and when the temperature is set, the light will keep on.
- **Interior Light:** When the refrigerator door is open, the interior light will stay on. When the refrigerator door is closed, the light will go off.
- **°C/°F Conversion:** When you press the °C/°F button, you can choose whether the temperature is displayed in Celsius or Fahrenheit. When LED2 is on, the temperature is displayed in °F. When LED2 is off, the temperature is displayed in °C.
- **Restoring to Default Settings:** Press **▲** twice, and then put your fingers on **▼** for 6 seconds. When the display light blinks, it means all settings have been reset. It will return to normal status in 6 seconds.

ELECTRICAL

Please ensure that the required voltage of the compressor is being supplied at all times. Low or high voltage can detrimentally affect the refrigeration unit. All units should be plugged into a grounded and properly-sized electrical outlet with appropriate overcurrent protection. Please refer to the electrical requirements on the nameplate. Please make sure that your unit has its own dedicated outlet. Do not use an extension cord.

Use

Storing Foods

- Foods to be stored in the refrigerator should be properly packed so as to prevent mixing various moisture degrees and odors.
- Make sure that foodstuffs do not touch each other. Assure adequate air circulation around packages.
- Never store flammable, volatile or explosive substances.
- Beverages with high alcohol percentage shall be stored in tightly sealed

bottles in vertical position.

- Food should not touch the rear wall of the refrigerator.
- Try not to open the door too often,
- Make sure to remove perishable articles of food out of the appliance before you leave for a long time.

SAFETY / WARNING

Please pay close attention to the safety notices in this section.

Disregarding these notices may lead to serious injury and/or damage to the unit.

ATTENTION

- To minimize shock and fire hazards, be sure not to overload outlet. Please designate one outlet for your unit.
- Do not use extension cords.
- Do not put your hands under the unit when the unit is required to be moved.
- When the unit is not in use for a long period of time, please unplug the unit from the outlet.
- After unplugging the unit, wait at least 10 minutes before re-plugging it. Failure to do so could cause damage to the compressor.
- Do not defrost the appliance with other electric appliances (for example a hair dryer) and never attempt to scrape /remove ice/frost with sharp objects. Use only enclosed tools or tools recommended by the manufacturer.

UNPLUG CORD

- To minimize shock and fire hazards, please do not plug or unplug the cord with wet hands.
- During maintenance and cleaning, please unplug the unit.

PROPER GROUDING REQUIRED

- To minimize shock and fire hazards, make sure that the unit is properly

grounded.

PROHIBITION

- Do not attempt to remove or repair any component unless instructed by factory.
- Make sure that the unit is not resting on or against the electrical cord and plug.
- To minimize personal injury, do not hang on the doors.
- Do not store any flammable and explosive gas or liquids inside the unit.
- Do not attempt to alter or tamper with the electrical cord.

REGULAR MAINTENANCE

Automatic Defrosting of the Refrigerator

- There is no need to defrost the refrigerator, because ice depositing on the inner back wall is defrosted automatically.
- □□ Ice build-up on the inner back wall during the compressor operation; will (when the compressor has cycled off) defrost automatically. Defrost water collects inside the drain through passing through the drain outlet in the inner back wall into a drain pan situated above the compressor, from where it evaporates.

CLEANING THE CONDENSER COIL

- For efficient operation, it is important that the condenser surface be kept free of dust, dirt, and lint.
- We recommend cleaning the condenser coil and fins at least once per month.
- Clean with a commercial condenser coil cleaner, available from any kitchen equipment retailer. Brush the condenser fins from top to bottom, not side to side.
- After cleaning, straighten any bent condenser fins with a fin comb.

CLEANING THE FAN BLADES AND MOTOR

If necessary, clean the fan blades and motor with a soft cloth. If it is necessary

to wash the fan blades, cover the fan motor to prevent moisture damage.

CLEANING THE INTERIOR OF UNIT

- When cleaning the cabinet interior, use a solvent of warm water and mild soap.
- Do not use steel wool, caustic soap, abrasive cleaners, or bleach that may damage the stainless steel surface.
- Wash door gaskets on a regular basis, preferably weekly. Simply remove door gasket from the frame of the door, soak in warm water and soap for thirty (30) minutes, dry with soft cloth, and replace.
- Check door gaskets for proper seal after they are replaced.
- Periodically remove the shelves and pilasters from the unit and clean them with mild soap and warm water. To remove the pilasters, first remove the shelves and shelf brackets. Then, simply lift the pilaster up and out.

WARNING

**Disconnect power cord before cleaning any parts of the unit or
will not use the appliance for long periods of time!**

TROUBLE SHOOTING

Before requesting any service on your unit, please check the following points. Please note that this guide serves only as a reference for solutions to common problems.

SYMPTOM	POSSIBLE CAUSE	CORRECTIVE ACTION
Compressor not running.	Fuse blown or circuit breaker tripped. Power cord unplugged. Thermostat set too high.	Replace fuse or reset circuit breaker. Plug in power cord. Set thermostat to lower temperature.
Condensing unit runs for long periods of time.	Excessive amount of warm product placed in cabinet. Prolonged door opening or door ajar.	Allow adequate time for product to cool down. Ensure doors are closed when not in use. Avoid opening doors for long periods of time.

	<p>Door gasket(s) not sealing properly.</p> <p>Dirty condenser coil.</p> <p>Evaporator coil iced over.</p>	<p>Ensure gaskets are snapped in completely. Remove gasket and wash with soap and water. Check condition of gasket and replace if necessary.</p> <p>Clean the condenser coil.</p> <p>Unplug unit and allow coil to defrost. Make sure thermostat is not set too cold. Ensure that door gasket(s) are sealing properly.</p>
<p>Cabinet temperature is too warm.</p>	<p>Thermostat set too warm.</p> <p>Blocking air flow.</p> <p>Excessive amount of warm product placed in cabinet.</p> <p>Fuse blown or circuit breaker tripped.</p> <p>Dirty condenser coil.</p> <p>Prolonged door opening or door ajar.</p> <p>Evaporator coil iced over.</p>	<p>Set thermostat to lower temperature.</p> <p>Re-arrange product to allow for proper air flow. Make sure there is at least four inches of clearance from evaporator.</p> <p>Allow adequate time for product to cool down.</p> <p>Replace fuse or reset circuit breaker.</p> <p>Clean the condenser coil.</p> <p>Ensure doors are closed when not in use. Avoid opening doors for long periods of time. (see above)</p>
<p>Cabinet is noisy.</p>	<p>Loose part(s).</p> <p>Tubing vibration.</p>	<p>Locate and tighten loose part(s).</p> <p>Ensure tubing is free from contact with other tubing or components.</p>



Bull Outdoor Products Inc.
2483 West Walnut Ave.
Rialto Ca. 92376