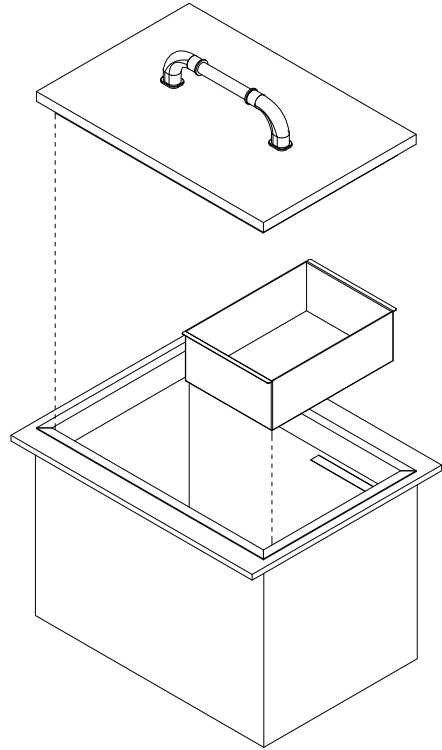
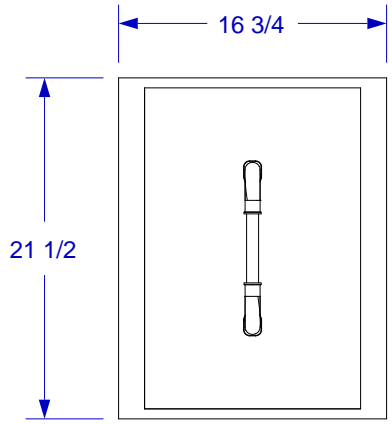




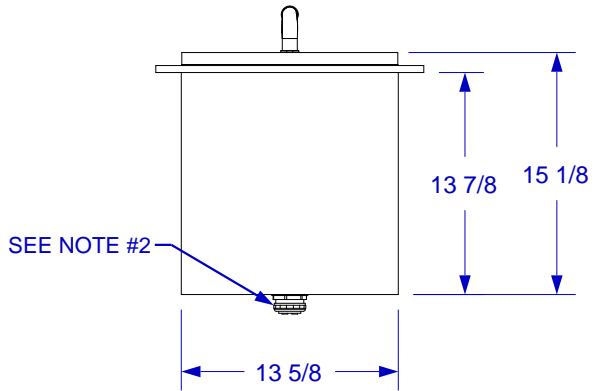
# ICE CHEST SPEC SHEET



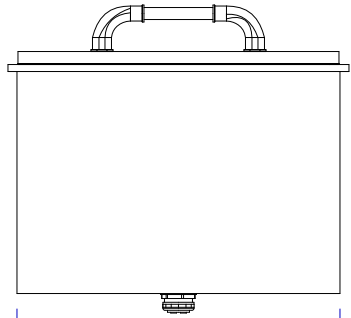
ISOMETRIC VIEW



TOP VIEW



FRONT VIEW



RIGHT SIDE VIEW

- NOTES:**
- 1. CUTOUT DIMENSIONS: 13 3/4" X 20 1/2" X 14 1/4"
  - 2. 1 1/2" DRAIN LINE.
  - 3. SCALE: 1" = 1'-0"
  - 4. REVISION: 10/2009