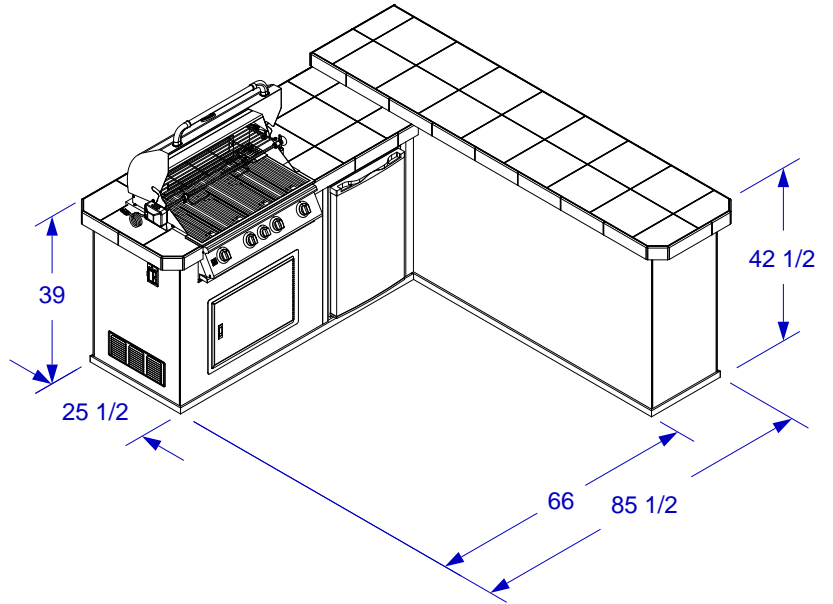


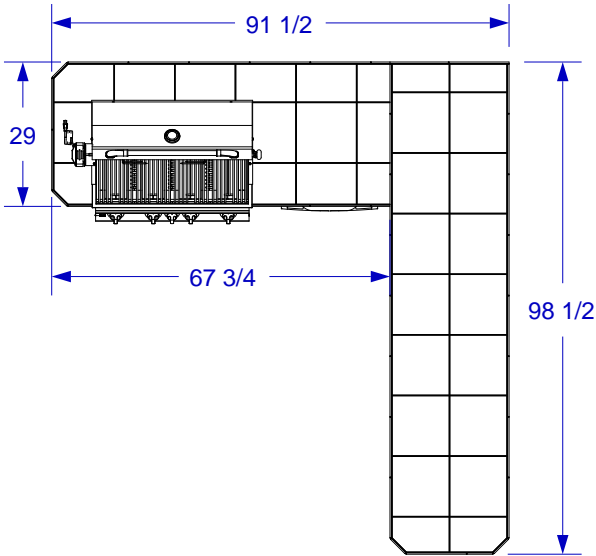


MESQUITE Q ISLAND

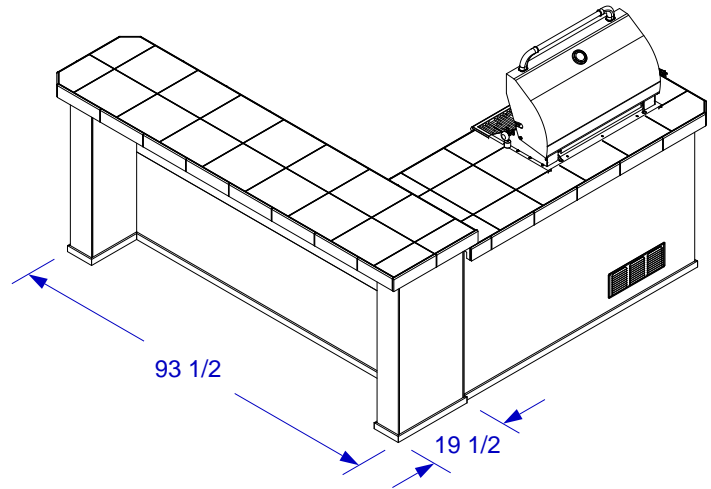
SPEC SHEET



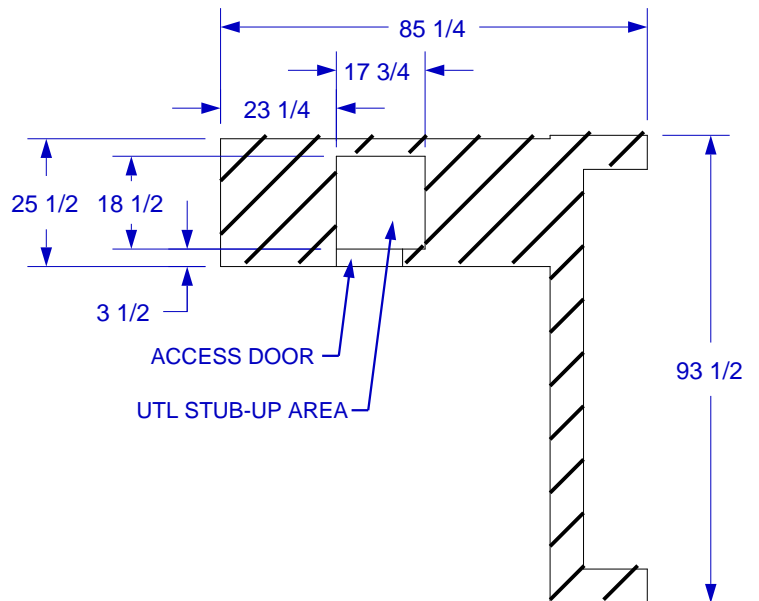
FRONT ISOMETRIC VIEW



TOP VIEW



BACK ISOMETRIC VIEW



STUB-UP DIAGRAM
(SEE NOTE #2)

NOTES:

1. FOR ROCK FINISHES, ADD 1 1/2" ON ALL BASE SIDES.
2. 6" MAX HEIGHT ON ALL STUB-UPS.
3. SHOWN WITH STANDARD 4-BURNER ANGUS GRILL.
4. SCALE: 5/16" = 1'-0"
5. REVISION: 10/2009