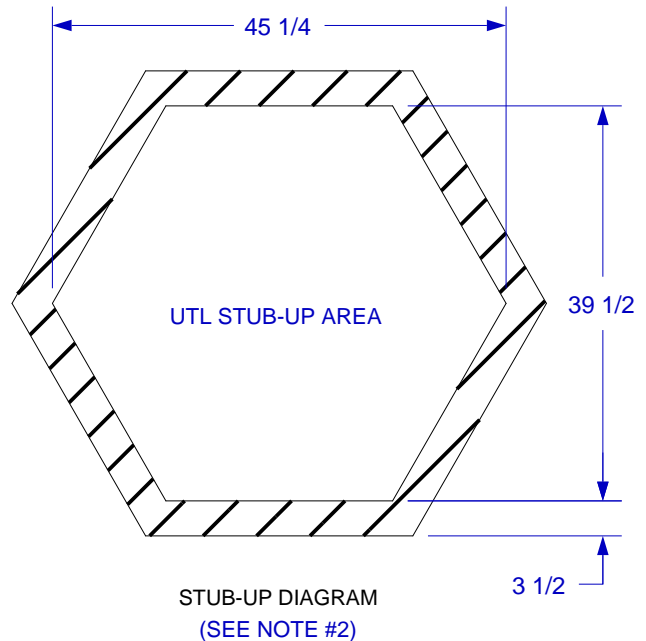
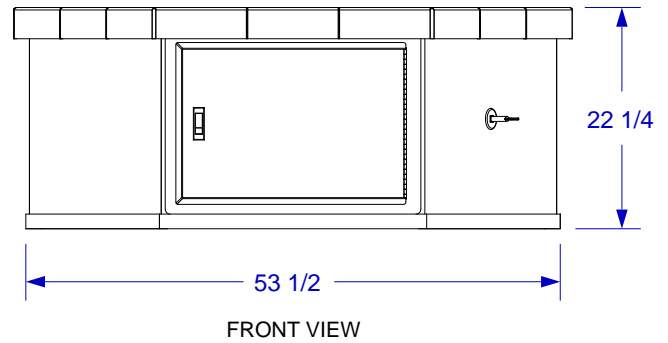
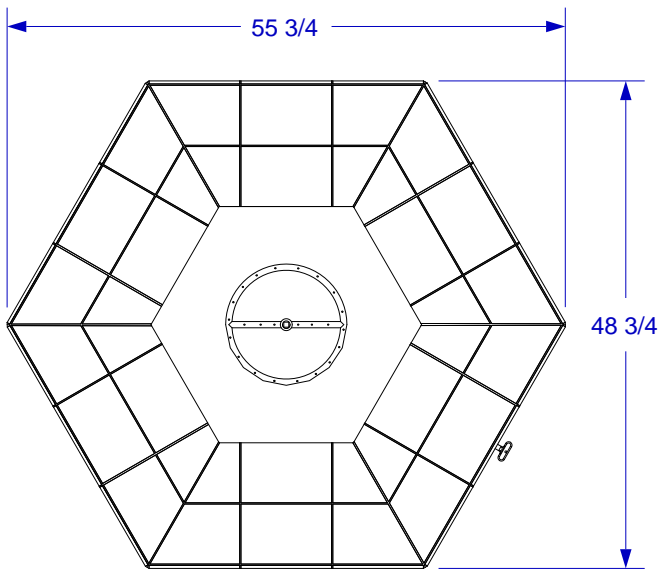
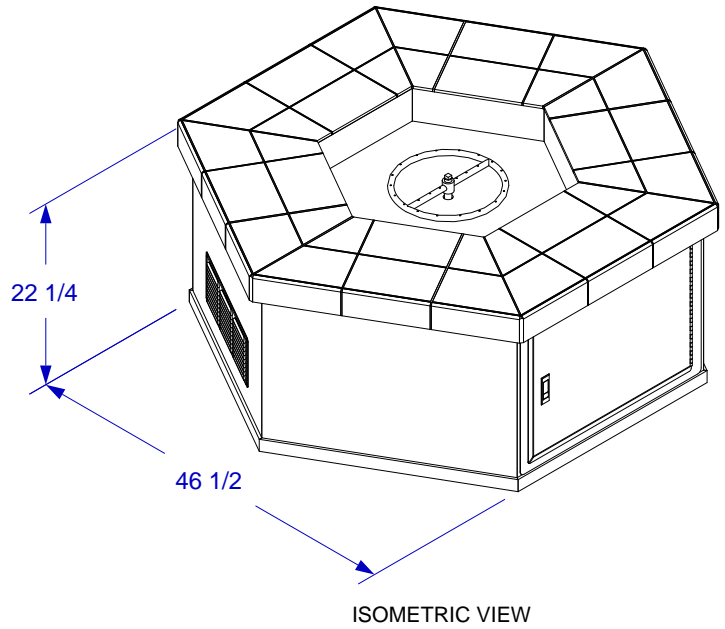




# HEXAGON FIRE PIT

## SPEC SHEET



- NOTES:**
1. FOR ROCK FINISHES, ADD 1 1/2" ON ALL BASE SIDES.
  2. 6" MAX HEIGHT ON ALL STUB-UPS.
  3. SCALE: 5/8" = 1'-0"
  4. REVISION: 10/2009