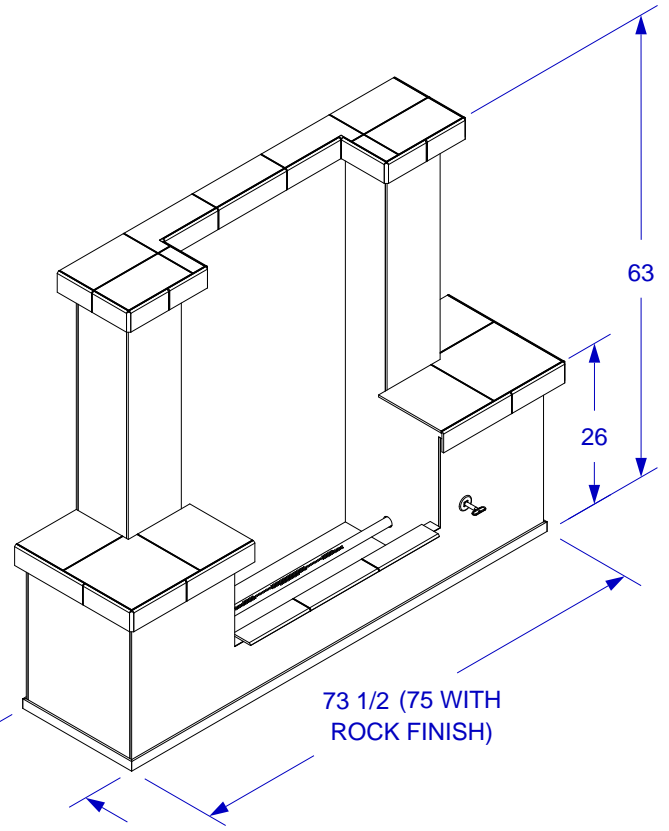
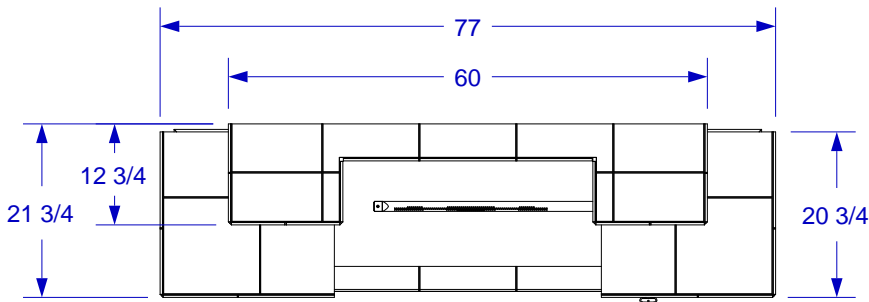




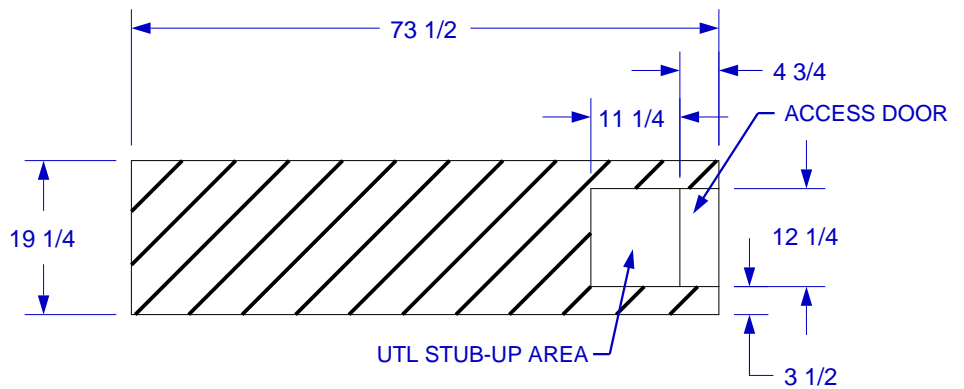
FIRE WALL SPEC SHEET



ISOMETRIC VIEW



TOP VIEW



STUB-UP DIAGRAM
(SEE NOTE #1)

- NOTES:**
1. 6" MAX HEIGHT ON ALL STUB-UPS.
 2. SCALE: 1/2" = 1'-0"
 3. REVISION: 10/2009